

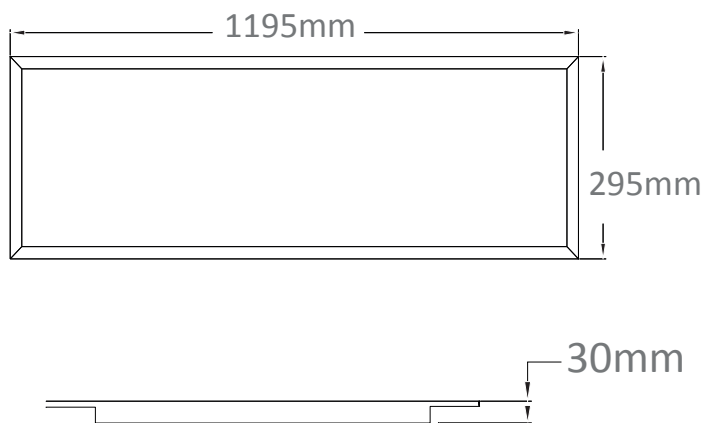
Model: XL65PNOL40B



General Data

| | |
|------------|-------------------|
| LED Type | SMD2835 |
| Watts | 40 W |
| Lumens | 4000lm |
| Lamp Life | 50000 hrs |
| CRI | >80 Ra |
| Beam Angle | 120° |
| IP Rating | IP65 |
| Weight | 3.4 Kgs |
| Voltage | 220-240V |
| Dimming | 1-10 V / DALI |
| CCT | 3000K/4000K/6000K |
| Opr. Temp. | -20 to +40 |
| Dime. mm | 1195x295x30mm |

Dimension Drawing



APPLICATIONS

Ideal for indoor general lighting for commercial and residential applications such as schools, meeting rooms, offices, hospitals, supermarket, hypermarkets, warehouses.

PRODUCT DESCRIPTION

Slim design recessed or surface mounted high output LED panels with white aluminum frame and remote driver, the panel comes with opal diffuser, IP65.

FIXTURE CONSTRUCTION

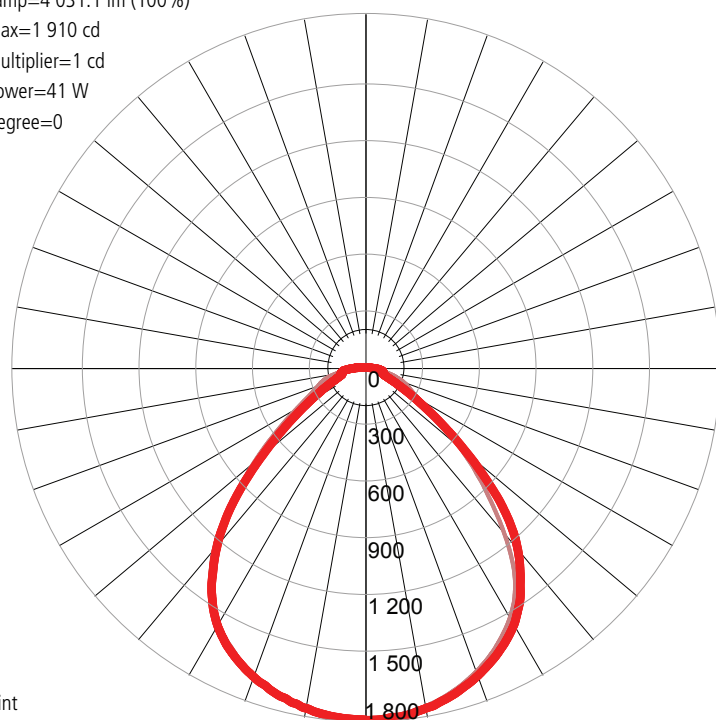
Aluminum body with opal diffuser, with remote non dimmable, dimmable, or Dali driver, excellent rendering above CRI>80, IP65.

Lamp Options

| Part Number | CCT |
|---------------|--------|
| XL65PNOL40BC3 | 3000 K |
| XL65PNOL40BC4 | 4000 K |
| XL65PNOL40BC6 | 6000 K |

Photometric Data

Lamp=4 031.1 lm (100%)
Max=1 910 cd
Multiplier=1 cd
Power=41 W
Degree=0



Point
Manufacturer: 0
Luminaire catalog: 595x595-6000K
Luminaire: 1