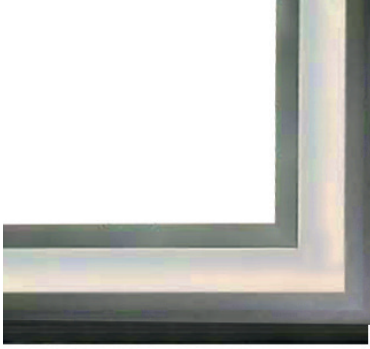


# XL marlin Lighting

## Multiple Applications Recessed Light Data Sheet

### Model: OLLC00824W-V90



#### General Data

Power	24 W
LED type	198 PCS 2835 SMD LED
Luminous flux	1200~1350 lm
CCT	3000K, 4000K, RGB. Different CCT upon request.
CRI	80+
Beam angle	120°
Dimension	500x500x34x53mm
Cut out dia.	500x500x33.2x51mm
Weight (kgs)	0.860 kgs
Lamp Life	50000 hrs
SDCM	≤3
Ambient Temp.	-15~50°C
RAL Color	80+
Oper. Temp.	-15~50°C
Certifications	CE, RoHS

#### Construction Data

IP rating	IP67 Waterproof
IK rating	IK08
Housing	Passivated(Anodizing) Aluminum
Protection finishing	20~25µm thickness anodized film for housing. Dark grey
Trim	Passivated(Anodizing) Aluminum
Glass	Without glass, but with strong PMMA diffuser
Loading capacity	200 kgs
Cable Gland	Glue

#### Electrical Data

Input voltage	DC24V (With a separately driver as options)
Insulation class	Class III
Cable	2 x cable 15cm H05RN-F 2x0.75mm square with IP67 waterproof connector male +female.
Driver	Low voltage constant current output, excluding the transformer

#### APPLICATIONS

These luminaires are widely used in exterior applications, such as lighting columns, walls, architectural features, as well as landscape features for hotels, gardens, parks, footpaths and stairstep etc.

#### PRODUCT DESCRIPTION

Inground, Wall and Ceiling recessed Light luminaire for outdoor installation, length 500x500mm, anodized extruded aluminium body, PMMA diffuser, stainless steel clips for recess installation. Remote driver needed, Low power SMD2835 LED, IP67 rating.

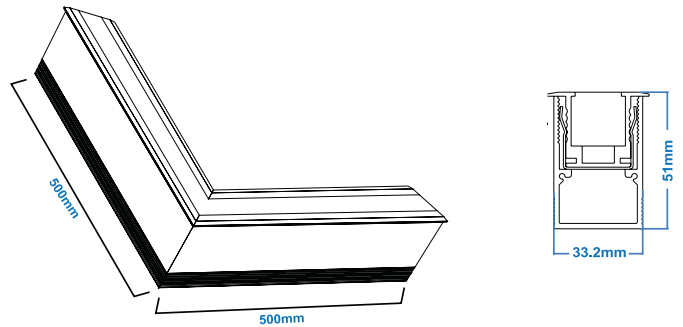
#### FIXTURE CONSTRUCTION

20~25µm thickness anodized film for housing with trim, solid passivated (anodizing) Aluminium CNC machined trim, Without glass, but with strong PMMA diffuser, Low voltage output, excluding the transformer. 2 x cable 15cm H05RN-F 2x0.75mm square with IP67 waterproof connector male +female.

#### Accessories

Mounting sleeve	Passivated (Anodizing) Aluminum CNC machined. Dark grey. With 2 PCS clips for mounting sleeve,
Others	2 PCS springs for ceiling lights applications, and 2 PC end caps with screws

#### Dimension Drawing

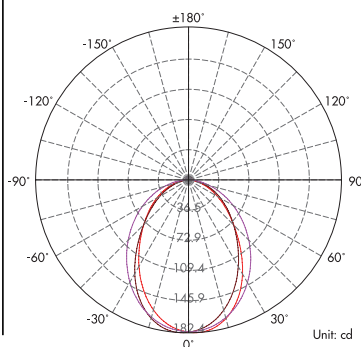


#### Lamp Options Asymmetric

Part Number	CCT	B. angle
OLLC00824W-V90C3B120	3000 K	120°
OLLC00824W-V90C4B120	4000 K	120°
OLLC00824W-V90CRB120	RED	120°
OLLC00824W-V90CGB120	GREEN	120°
OLLC00824W-V90CBB120	BLUE	120°

#### Photometric Data(3000K, 120°)

Light Distribution Curve [Unit: cd]



Lux distance Curve

