

MULTIPLE APPLICATIONS / 02-1 Light

LAMP DATA

Power	1.5 Watts
LED type	1 PC CREE XPE LED
Luminous flux	90~95 lm
CCT	3000K or 4000K as standard. Different CCT upon request.
CRI	80+
Beam angle	15°,25°,38°,45°,60°,120° - milky white class 120°
Dimension	Ø45 x 36 mm
Cut out dia.	Ø39.4X60 mm
Weight (kgs)	0.165 kgs
Lamp Life	50000 hrs
SDCM	≤3
Ambient Temp.	-15~50°C
RAL Color	80+
Oper. Temp.	-15~50°C
Certifications	CE, RoHS

Construction Data

IP rating	IP68 Waterproof
IK rating	IK06
Housing	Solid Passivated (Anodizing) Aluminum CNC machined
Protection	20~25µm thickness anodized film for Aluminum housing .
Trim	Stainless steel 316
Glass	Step tempered Glass. T=4mm.
Loading capacity	320 kgs
Cable Gland	PG7 IP68, Glue
Gasket	O-ring PMQ silicone seal

Electrical Data

Input voltage	DC12V/DC24V
Insulation class	Class III
Cable	1PC rubber cable 1M H05RN-F 2x1mm square

Accessories

Mounting sleeve	Anti-corrosion grey PVC	Clip	For deck light or downlight
-----------------	-------------------------	------	-----------------------------

Driver: Constant Voltage Output

Driver Code	Watt	IP rate	Fixtures Qty	Warranty
MW- LPV-20-24	20 W	IP 67	min 1 - max 10	2 years
MW- NPF-40-24	40 W	IP 67	min 1 - max 20	5 years
MW- XLG-75-24	75 W	IP 67	min 1 - max 40	5 years
MW- ELG-75-24	75 W	IP 67	min 1 - max 40	5 years

- Driver to be order separately

- Cable distance should be taken into consideration.



OLD1011

Deck lights or ceiling lights application or ceiling lights application recessed luminaire for outdoor installation, anodized extruded aluminium body, tempered glass diffuser, stainless steel housing trim. Low power CREE LED, IP68

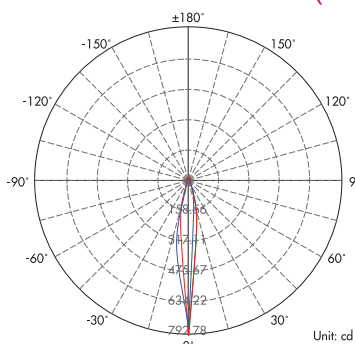
LAMP OPTIONS

Part Number	CCT	Beam angle
OLD1011C3B15	3000 K	15°
OLD1011C4B15	4000 K	15°
OLD1011C3B25	3000 K	25°
OLD1011C4B25	4000 K	25°
OLD1011C3B38	3000 K	38°
OLD1011C4B38	4000 K	38°
OLD1011C3B45	3000 K	45°
OLD1011C4B45	4000 K	45°
OLD1011C3B60	3000 K	60°
OLD1011C4B60	4000 K	60°
OLD1011C3B120	3000 K	120°
OLD1011C4B120	4000 K	120°

MILKY WHITE CLASS LAMP OPTIONS

Part Number	CCT	Beam angle
OLD1011MC3B120	3000 K	120°
OLD1011MC4B120	4000 K	120°

Photometric Data (3000K,25°)



Distance (m)	LUX	Vert. Spread (m)	Horiz. Spread (m)
2m	198.19 LUX	0.5m	0.5m
4m	49.55 LUX	1.1m	1.1m
6m	22.02 LUX	1.6m	1.6m
8m	12.39 LUX	2.1m	2.2m
10m	7.93 LUX	2.6m	2.7m
12m	5.51 LUX	3.2m	3.3m

Vert. Spread: 15.1
Horiz. Spread: 15.4

