

**Model: PR5Q15IP20WH**



**General Data**

Power	15 W
LED type	LED COB
Luminous flux	1200 lm
CCT	3000K or 4000K as standard. Different CCT upon request.
CRI	>83 Ra
Beam angle	60°
Dimension	130x130x70 mm
Cut out dia.	110x110 mm
Weight (kgs)	0.95 Kgs
Lamp Life	50000 hrs
SDCM	≤5
Oper. Temp.	C -10°-45°
Certifications	CE, RoHS
Trim Color	White
Dimming	1-10V/DALI

**Construction Data**

IP rating	20 Indoor
Housing	Solid aluminum housing CNC machined body
Protection finishing	passivated (anodizing) anti-corrosion finishing
Glass	/
Loading capacity	/
Cable Gland	IP20
Gasket	Silicone rubber gasket

**Electrical Data**

Input voltage	AC 100~240V
Cable	Cable gland

**Accessories**

Mounted Accessory	/
Clip	/

**APPLICATIONS**

Ideal for general lighting in retail, commercial and domestic applications. Particularly suitable where glare can be an issue because this light fixture has very low glare index

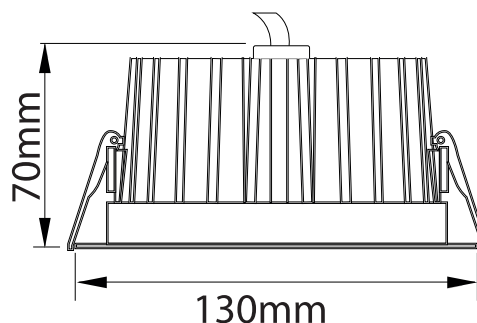
**PRODUCT DESCRIPTION**

Prolux down light is brilliant down light for general lighting, and wet areas made of die cast aluminum body, trim and heat sink, specular reflector to control the glare temperature, and high CRI 83 Ra. dimming is on request. IP20

**FIXTURE CONSTRUCTION**

Easy installation using screw arrangement for fixing from below, the reflector controls the glare and smooth the light beam angle, with forsted diffuser, the robust construction which is made from die cast aluminum and electronic remote driver.

**Dimension Drawing**

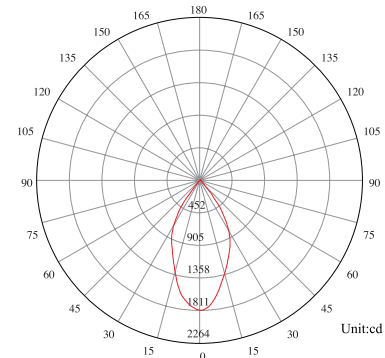


**Lamp Options**

Part Number	CCT	Beam angle
PR5Q15IP20WH3	3000 K	60°
PR5Q15IP20WH4	4000 K	60°

**Photometric Data**

Light Distribution Curve [Unit: cd]



Lux distance Curve

