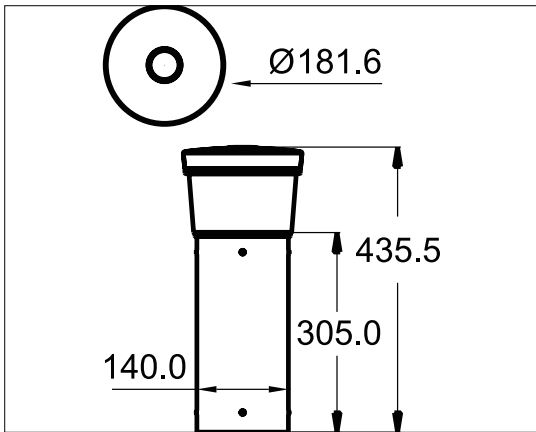


GARDEN / 03-3 Bollard Light



LAMP DATA

Rated Power	10 W	20W	30W
LED type	Philips		
Dimension	Ø181.6x435.5mm		
Luminous Flux	900lm	1800lm	2700lm
Color Temperature	3000K or 6500K as standard. Different CCT upon request.		
Beam angle	180°, 360°	270°, 360°	360°
CRI	>70		
Lamp Life	50000 hrs		
SDCM	≤3		
Working Temp.	-35°-50°		
Black RAL	9005		
Certifications	CE, RoHS		

Construction Data

IP rating	IP65 Waterproof
Housing	Aluminum body
Protection finishing	Anti-corrosion Graphene powder coating
Glass	Tempered glass diffuser
Cable Gland	PG7 IP65
Gasket	O-ring PMQ silicone seal

Electrical Data

Input voltage	AC100-277
Frequency Range	50/60Hz

OLBLC12IN

LED bollard luminaire for outdoor installation, aluminium body, 435.5mm height, Glass diffuser, stainless steel screws, Low power Philips LED, IP65 rating.

LAMP OPTIONS - 10W

Part Number	CCT	Beam angle
OLBLC12IN10C3B180	3000 K	180°
OLBLC12IN10C65B180	6500 K	180°
OLBLC12IN10C3B360	3000 K	360°
OLBLC12IN10C65B360	6500 K	360°

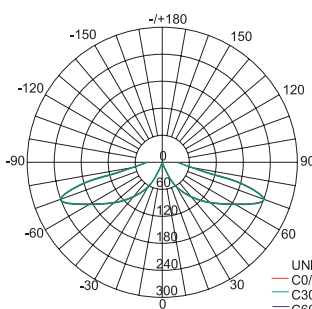
LAMP OPTIONS - 20W

OLBLC12IN20C3B270	3000 K	270°
OLBLC12IN20C65B270	6500 K	270°
OLBLC12IN20C3B360	3000 K	360°
OLBLC12IN20C65B360	6500 K	360°

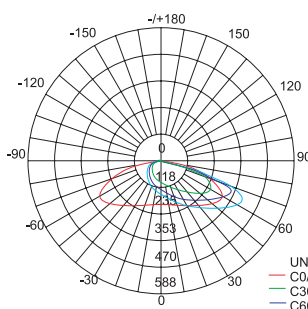
LAMP OPTIONS - 30W

OLBLC12IN30C3B360	3000 K	360°
OLBLC12IN30C65B360	6500 K	360°

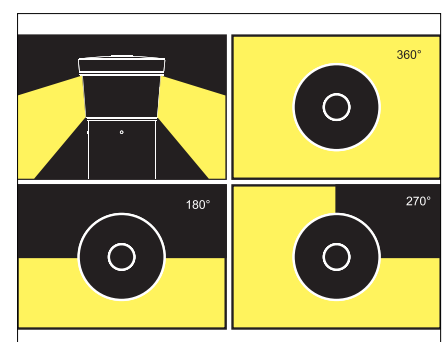
Photometric Data

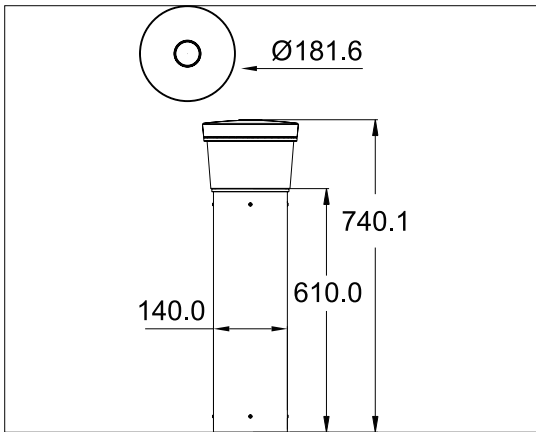


AVERAGE BEAM ANGLE(50%):149.2 DEG



AVERAGE BEAM ANGLE(50%):75.2 DEG





OLBLC24IN

LED bollard luminaire for outdoor installation, aluminum body, 740.1mm height, Glass diffuser, stainless steel screws, Low power Philips LED, IP65 rating.

LAMP DATA

Rated Power	10 W	20W	30W
LED type	Philips		
Dimension	Ø181.6x740.1mm		
Luminous Flux	900lm	1800lm	2700lm
Color Temperature	3000K or 6500K as standard. Different CCT upon request.		
Beam angle	180°, 360°	270°, 360°	360°
CRI	>70		
Lamp Life	50000 hrs		
SDCM	≤3		
Working Temp.	-35°-50°		
Black RAL	9005		
Certifications	CE, RoHS		

Construction Data

IP rating	IP65 Waterproof
Housing	Aluminum body
Protection finishing	Anti-corrosion Graphene powder coating
Glass	Tempered glass diffuser
Cable Gland	PG7 IP65
Gasket	O-ring PMQ silicone seal

Electrical Data

Input voltage	AC100-277
Frequency Range	50/60Hz

LAMP OPTIONS - 10W

Part Number	CCT	Beam angle
OLBLC24IN10C3B180	3000 K	180°
OLBLC24IN10C65B180	6500 K	180°
OLBLC24IN10C3B360	3000 K	360°
OLBLC24IN10C65B360	6500 K	360°

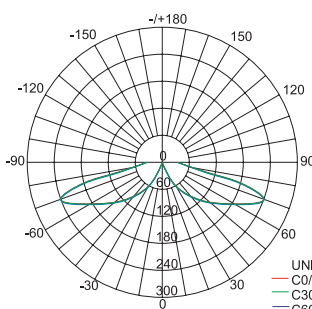
LAMP OPTIONS - 20W

OLBLC24IN20C3B270	3000 K	270°
OLBLC24IN20C65B270	6500 K	270°
OLBLC24IN20C3B360	3000 K	360°
OLBLC24IN20C65B360	6500 K	360°

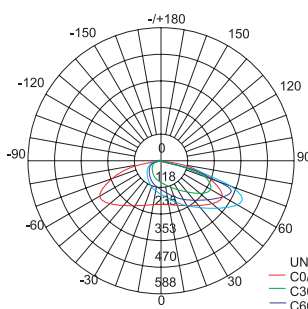
LAMP OPTIONS - 30W

OLBLC24IN30C3B360	3000 K	360°
OLBLC24IN30C65B360	6500 K	360°

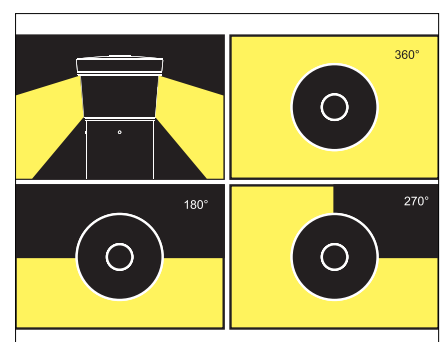
Photometric Data



AVERAGE BEAM ANGLE(50%):149.2 DEG

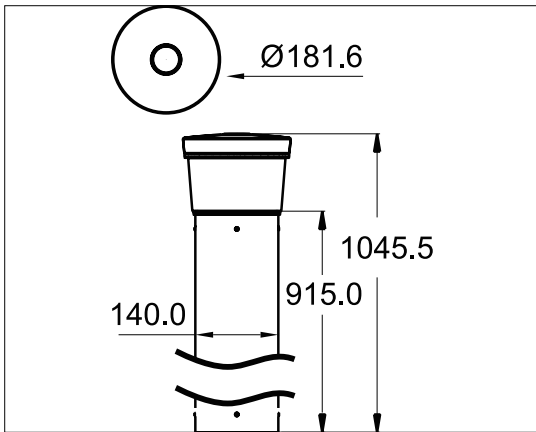


AVERAGE BEAM ANGLE(50%):75.2 DEG



GARDEN / 03-3 Bollard Light

Dimension



OLBLC36IN

LED bollard luminaire for outdoor installation, aluminum body, 1045 mm height, Glass diffuser, stainless steel screws, Low power Philips LED, IP65 rating.

LAMP DATA

Rated Power	10 W	20W	30W
LED type	Philips		
Dimension	Ø181.6x1045.5mm		
Luminous Flux	900lm	1800lm	2700lm
Color Temperature	3000K or 6500K as standard. Different CCT upon request.		
Beam angle	180°, 360°	270°, 360°	360°
CRI	>70		
Lamp Life	50000 hrs		
SDCM	≤3		
Working Temp.	-35°-50°		
Black RAL	9005		
Certifications	CE, RoHS		

Construction Data

IP rating	IP65 Waterproof
Housing	Aluminum body
Protection finishing	Anti-corrosion Graphene powder coating
Glass	Tempered glass diffuser
Cable Gland	PG7 IP65
Gasket	O-ring PMQ silicone seal

Electrical Data

Input voltage	AC100-277
Frequency Range	50/60Hz

LAMP OPTIONS - 10W

Part Number	CCT	Beam angle
OLBLC36IN10C3B180	3000 K	180°
OLBLC36IN10C65B180	6500 K	180°
OLBLC36IN10C3B360	3000 K	360°
OLBLC36IN10C65B360	6500 K	360°

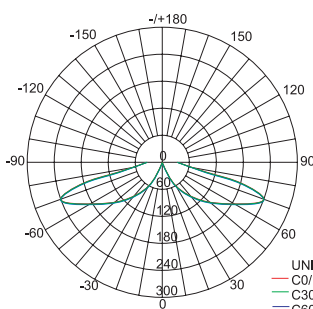
LAMP OPTIONS - 20W

OLBLC36IN20C3B270	3000 K	270°
OLBLC36IN20C65B270	6500 K	270°
OLBLC36IN20C3B360	3000 K	360°
OLBLC36IN20C65B360	6500 K	360°

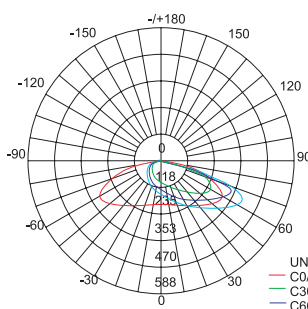
LAMP OPTIONS - 30W

OLBLC36IN30C3B360	3000 K	360°
OLBLC36IN30C65B360	6500 K	360°

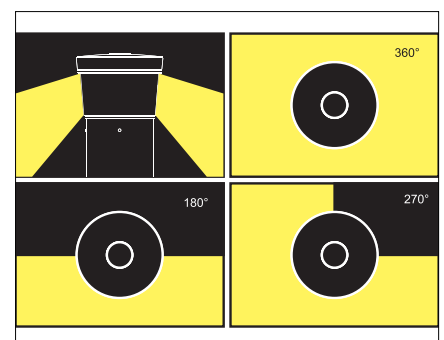
Photometric Data



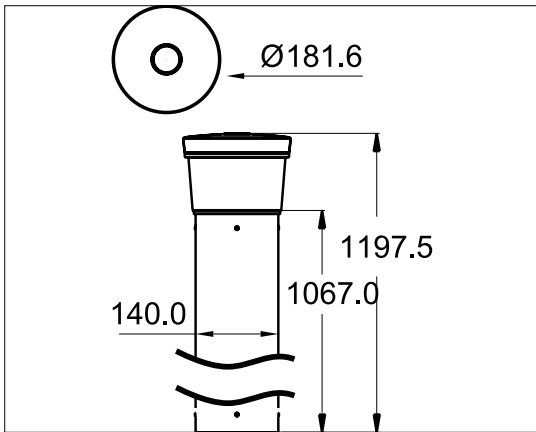
AVERAGE BEAM ANGLE(50%):149.2 DEG



AVERAGE BEAM ANGLE(50%):75.2 DEG



Dimension



OLBLC42IN

LED bollard luminaire for outdoor installation, aluminum body, 740.1mm height, Glass diffuser, stainless steel screws, Low power Philips LED, IP65 rating.

LAMP DATA

Rated Power	10 W	20W	30W
LED type	Philips		
Dimension	Ø181.6x1197.5mm		
Luminous Flux	900lm	1800lm	2700lm
Color Temperature	3000K or 6500K as standard. Different CCT upon request.		
Beam angle	180°, 360°	270°, 360°	360°
CRI	>70		
Lamp Life	50000 hrs		
SDCM	≤3		
Working Temp.	-35°-50°		
Black RAL	9005		
Certifications	CE, RoHS		

Construction Data

IP rating	IP65 Waterproof
Housing	Aluminum body
Protection finishing	Anti-corrosion Graphene powder coating
Glass	Tempered glass diffuser
Cable Gland	PG7 IP65
Gasket	O-ring PMQ silicone seal

Electrical Data

Input voltage	AC100-277
Frequency Range	50/60Hz

LAMP OPTIONS - 10W

Part Number	CCT	Beam angle
OLBLC42IN10C3B180	3000 K	180°
OLBLC42IN10C65B180	6500 K	180°
OLBLC42IN10C3B360	3000 K	360°
OLBLC42IN10C65B360	6500 K	360°

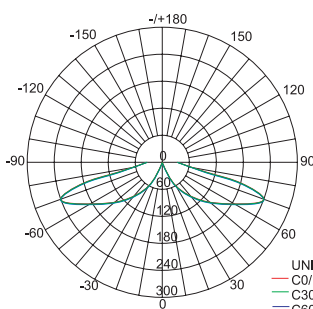
LAMP OPTIONS - 20W

OLBLC42IN20C3B270	3000 K	270°
OLBLC42IN20C65B270	6500 K	270°
OLBLC42IN20C3B360	3000 K	360°
OLBLC42IN20C65B360	6500 K	360°

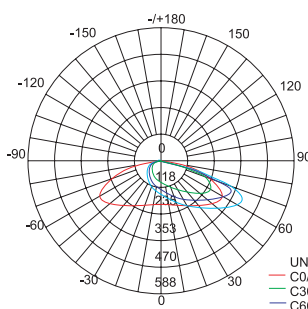
LAMP OPTIONS - 30W

OLBLC42IN30C3B360	3000 K	360°
OLBLC42IN30C65B360	6500 K	360°

Photometric Data



AVERAGE BEAM ANGLE(50%):149.2 DEG



AVERAGE BEAM ANGLE(50%):75.2 DEG

